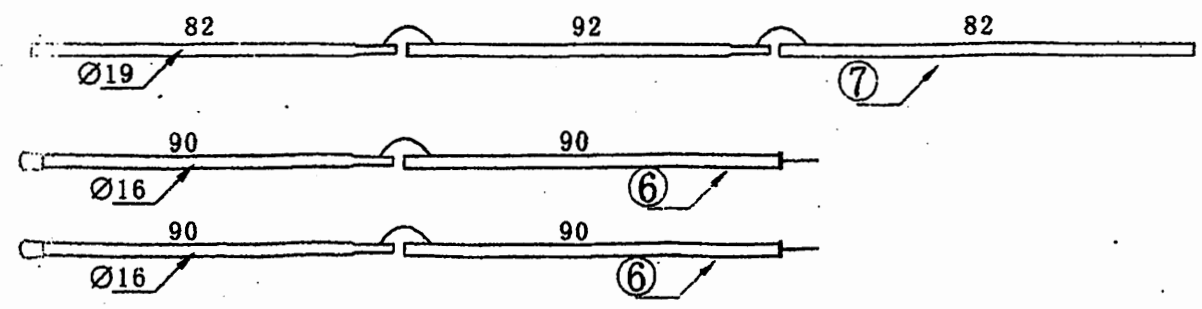
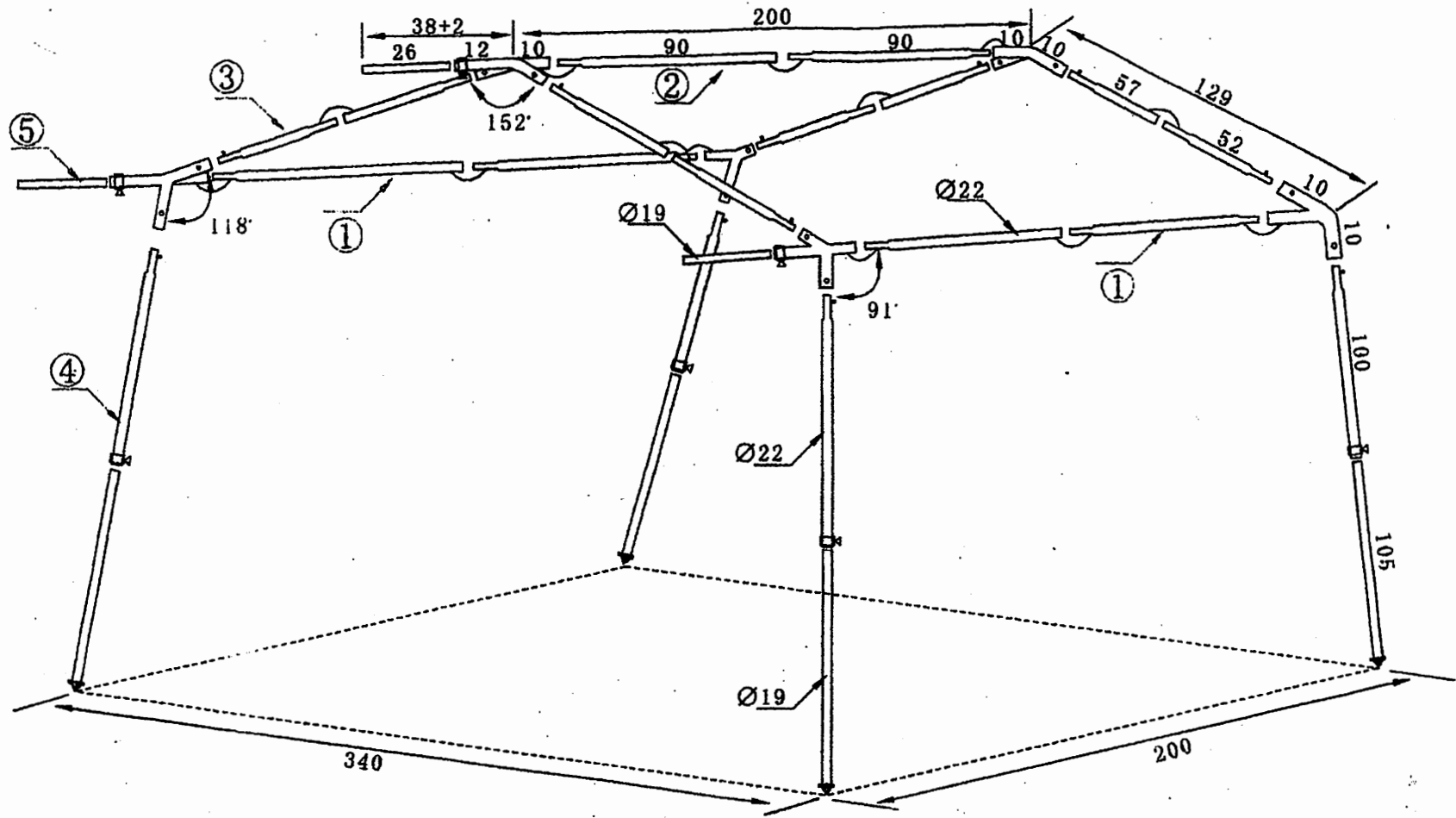


40+200×340×210×180+100cm



Thank you for purchasing our NLA Driveaway awning

This is a brief introduction on how to set up your connection roof T bar in your awning.

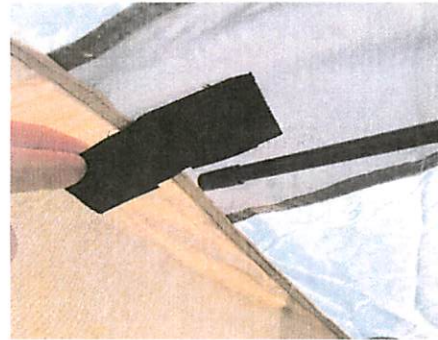
1. find the black fibreglass poles with a silver metal T connection. Set up for poles in 1 long piece as below photo.

P1



2. in your connection part of the roof, you will see a sewn in double layer material with pockets. Please open the left end pocket when you are standing under the roof facing your camper. See P2.

P2



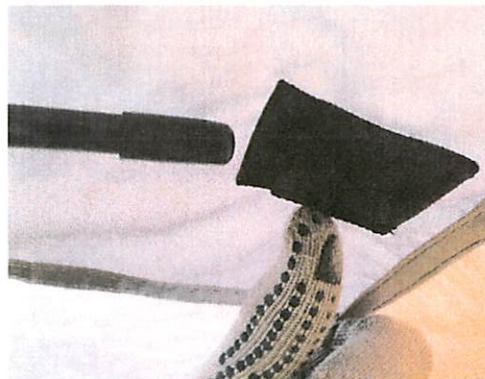
3. Feed through any end of the fibreglass bar inside the velcro pocket.

Please feed through the end further than the velcro belt to allow the other end sitting in the none-open pocket. See P3 P4 and P5.

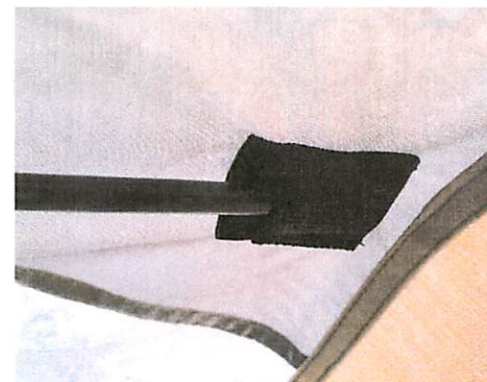
P3



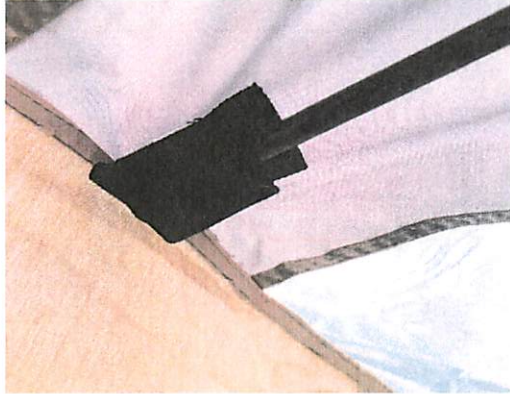
P4



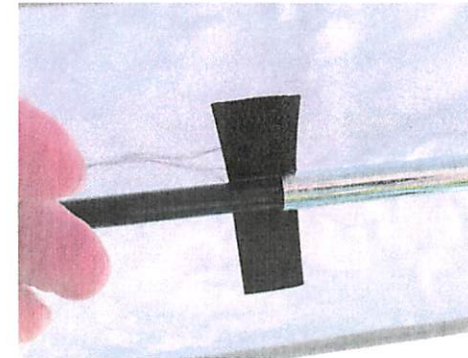
P5



4. Then after the right end sitting in, bring the velcro belt back to close the left pocket. See P6  
P6

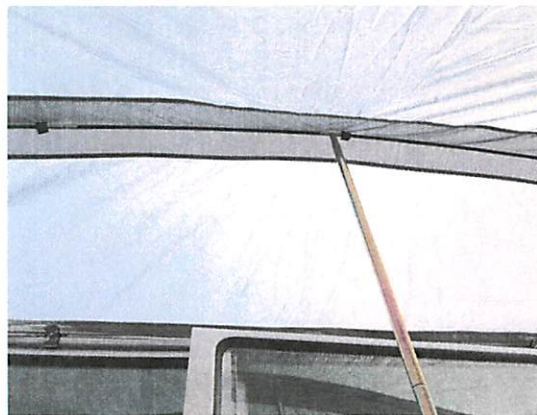


5. Fasten the velcros to the middle section of the fiberglass pole. See P7

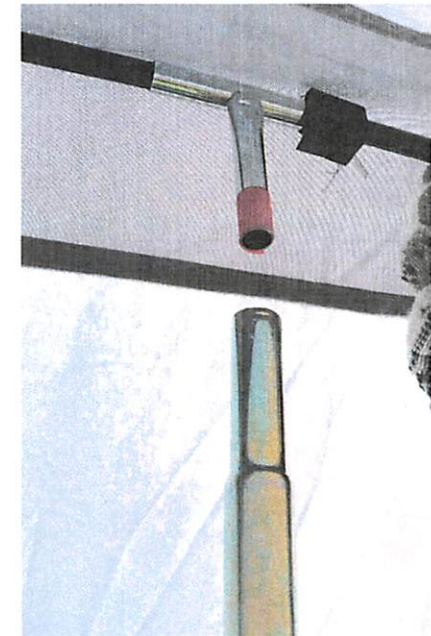


P7

6. Find the 2 loose pieces metal support bars: one with a pin at the end and one comes with 2 small sections jointed by wire without push button. Connect these 2 pieces by inserting the bigger end of the 2 section bar into the adjust clamp end of the thicker bar and adjust the length to roughly the height of the connection roof height. Rest the little T Piece inside the thinner end of the 2 section bar, (See P8), then adjust the height of the support bar again to make it pushing the fiberglass pole slightly dome shaped to offer tension on the roof to avoid gathering rain water. Please see P9. Job Done.



P9



P8