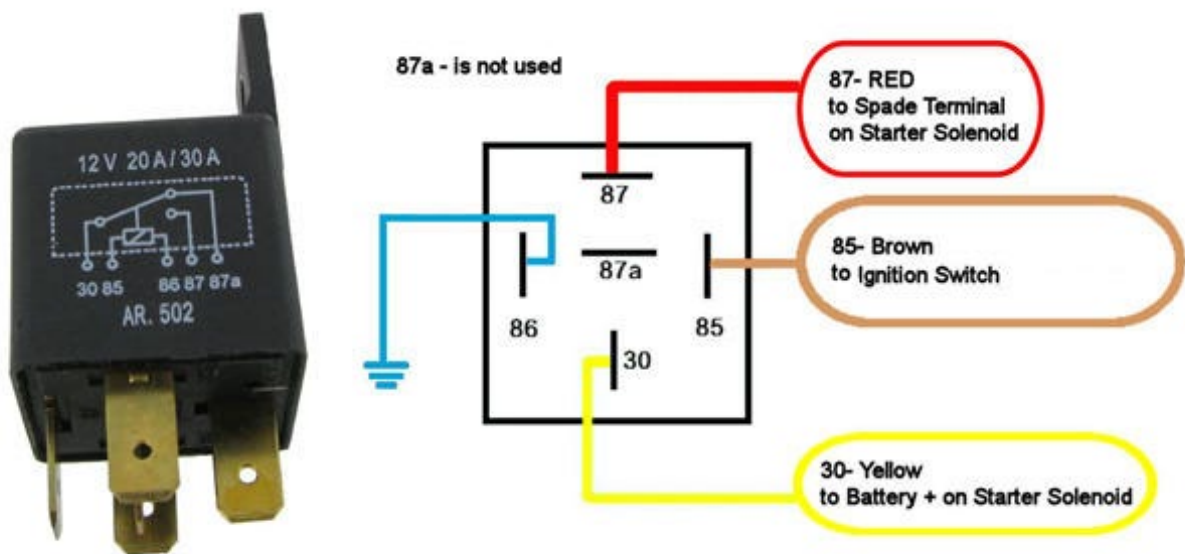


## 2412 Paruzzi Hard-Start Relay Instructions

For ease of installation, pre-read these instructions. You may want to determine the mounting location, cut and crimp connectors onto the appropriate wires before mounting relay on the car.

1. Disconnect the negative battery cable
2. Choose a mounting location close to the starter for the relay
3. Connect wires per the diagram below
4. Inspect all wires and connections. Tie loose wires with wire ties and use heat-shrink tubing or tape on all exposed wire and/or connector.
5. Re-install negative battery cable and check for proper activation upon starting car



**IMPORTANT NOTE:** Check your transmission to body ground strap. This grounds the motor and transmission to the chassis and is very important to your cars electrical system.