



## Installation Instructions Roof Rack 20499

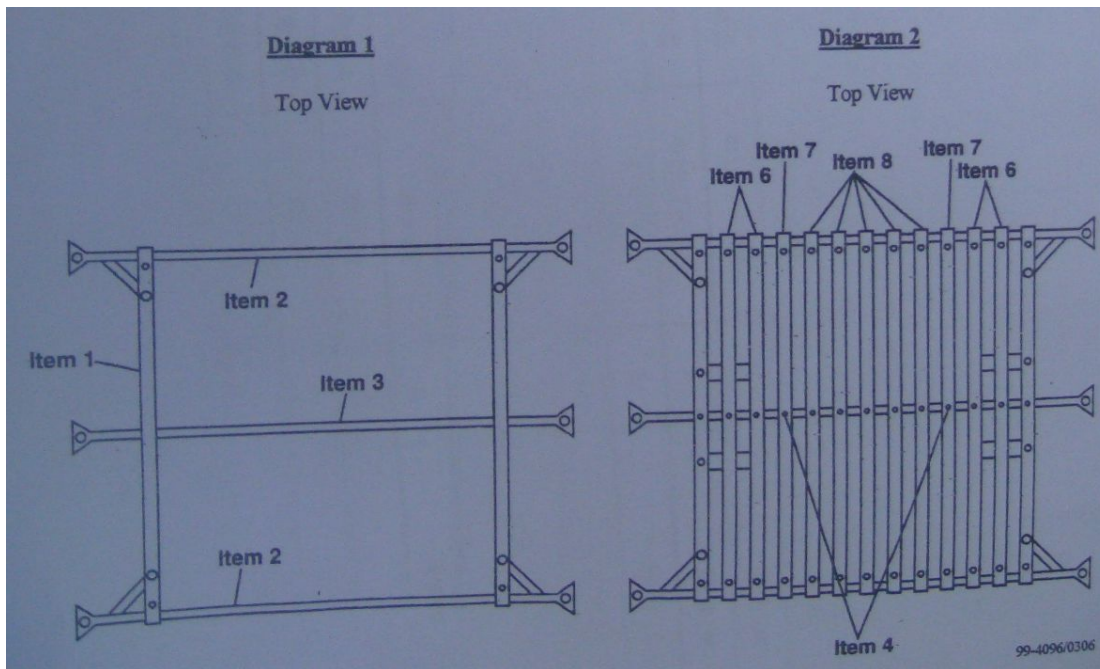
### Assembly:

1. Attach 2 wood slates(item 1) to the bows(items 2&3) as shown in diagram 1 using 6 carriage bolts (item 4) and 6 nuts (item 5).  
**Note: Don't fully tighten any nuts, bolts or screws until rack assembly is complete.**
2. Attach the remaining wood slates(item 6,7, and 8) as shown in diagram 2; use 27 Phillips head screws (item 9). Use the remaining 2 carriage bolts(item 4) and 2 nuts(item 5) to attached item 7(see diagram 2). Attached wood slats to the frame from side to side.
3. Attach the 4 cross braces(item 10) as shown in diagram 2, using 8 Phillips head screws(item 9) for each cross braces.
4. Use a measuring tape to made sure that the measurement from top left to bottom right is the same as top right to bottom left.
5. Slide four uprights(item 11) on the long s/steel tube (item 12; 41 1/8" for the sides) and 2 upright (item 11) on the smaller tube (item 1., 40 1/4" for the front and rear).
6. Attached 2 elbows (item 14) on the longer rod(item 12) with sheet metal screws(item 9)
7. Position uprights(item 11) over mounting holes. Made sure that all uprights are facing inward to wards that wood slates before installing.  
**Note: take care not to cross thread the uprights!**
8. Bolt the first upright(on long tube) in place using a hex bolt (item 15) and a washer (item 16).
9. Repeat this step on the remaining 3 uprights.
10. Insert the smaller tube(item 13) with 2 uprights(item 11) into the elbow of the already attached tube.
11. Rotate the Stainless Steel tube so the first upright is in position over the mounting hole. This will cause the Stainless Steel tube to curb slightly.
12. Attached the uprights using an alien bolt(item 17) and an alien wrench.  
**Note: Take care not to cross thread the uprights!**
13. Repeat Steps 11 and 12 for the second upright.

14. Use sheet metal screws to secure item 14 to item 13
15. Repeat steps 5 through 12 on the remaining tubes

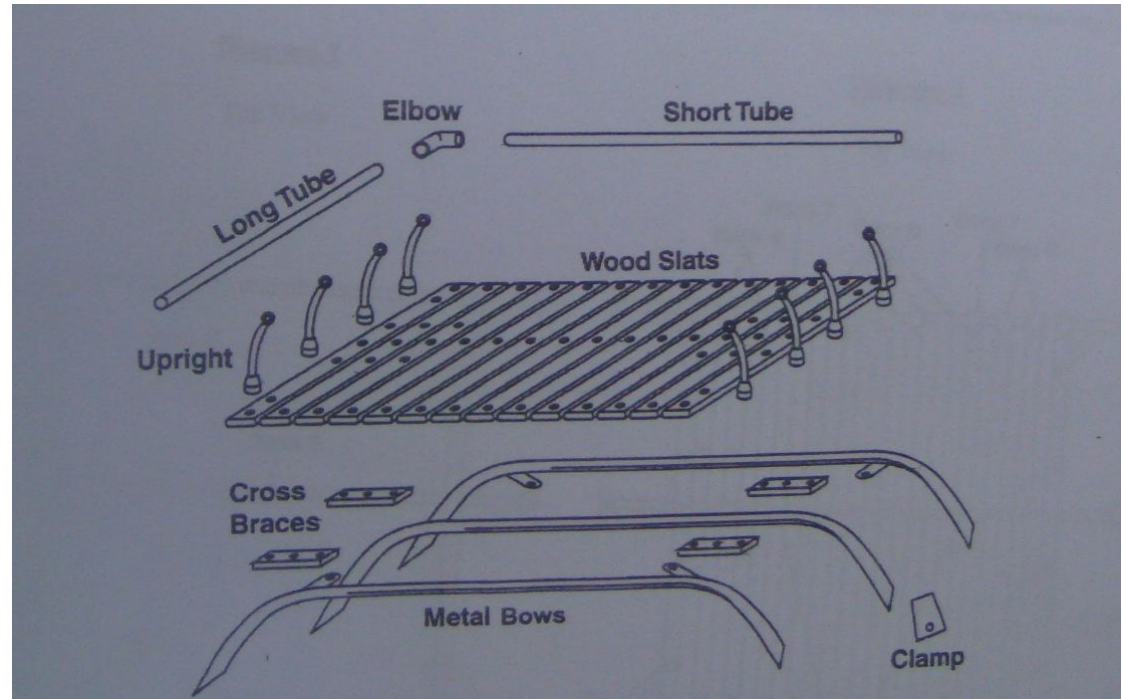
**Mounting Rack:**

16. Before you mount the rack, make sure you tighten every nut, bolt and screw.
17. After checking the hardware, place the rack in position of the roof with the rack's feet resting in the rain channel.
18. Attach the clamps(item 18) over the feet and the edge of the rain channel. Use six 1/4"X1 Phillips head screw (item 19) and use the remaining nut (item 5)



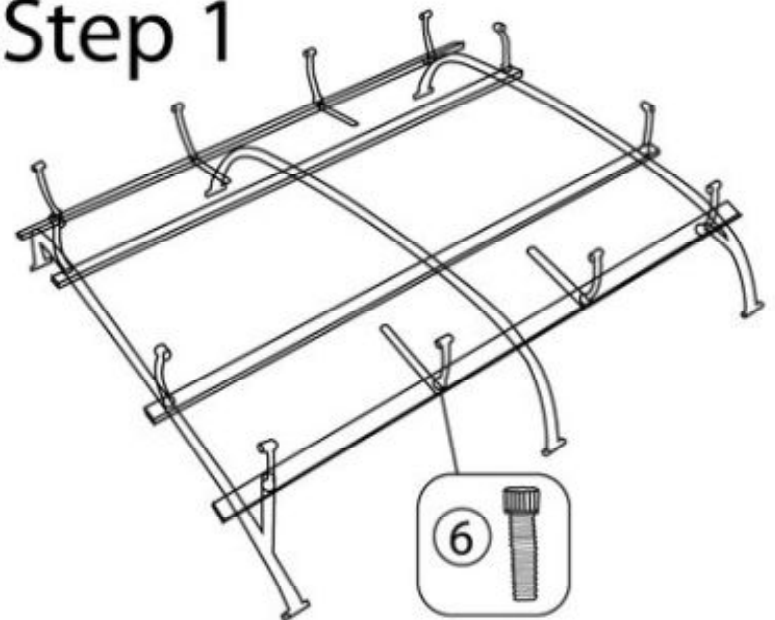
### Packing List

Item	Description	Qty
1.	Wood Slat W/7 holes	2
2.	Frpmt amd Rear Bows	2
3.	Middle Bow	1
4.	1/4"Xq 1/4" Carriage Bolts	8
5.	1/4" Hex Nut	14
6.	Wood Slat W/5 holes	4
7.	Wood Slat W/2 Large Holes & 1 Small hole	2
8.	Wood Slat W/3 small holes	5
9.	Sheet Metal Screws	43
10.	Cross Braces	4
11.	Uprights	12
12.	Long S/Steel Tube(1/2 Dia. 41 1/8")	2
13.	Short S/Steel Tube(1/2 Dia 40 1/4")	2
14.	Elbows	4
15.	M8 Hex Bolt	8
16.	M8 Flat Washer	16
17.	M8 X30 Allen Head Bolt	4
18.	Clap for the roof Channel	6
19.	1/4"X 1" Pillips Head Screw	6

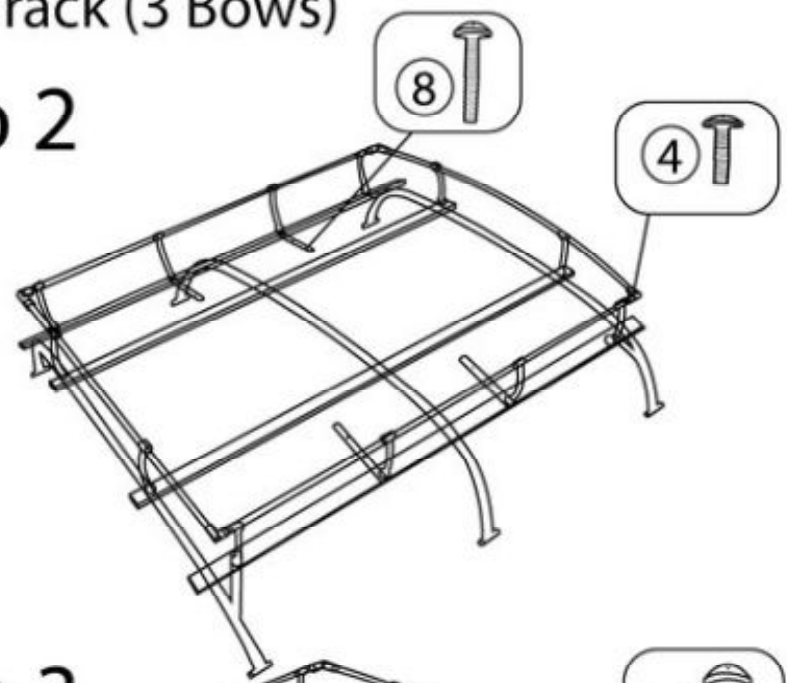


# Assembly Guide Roof rack (3 Bows)

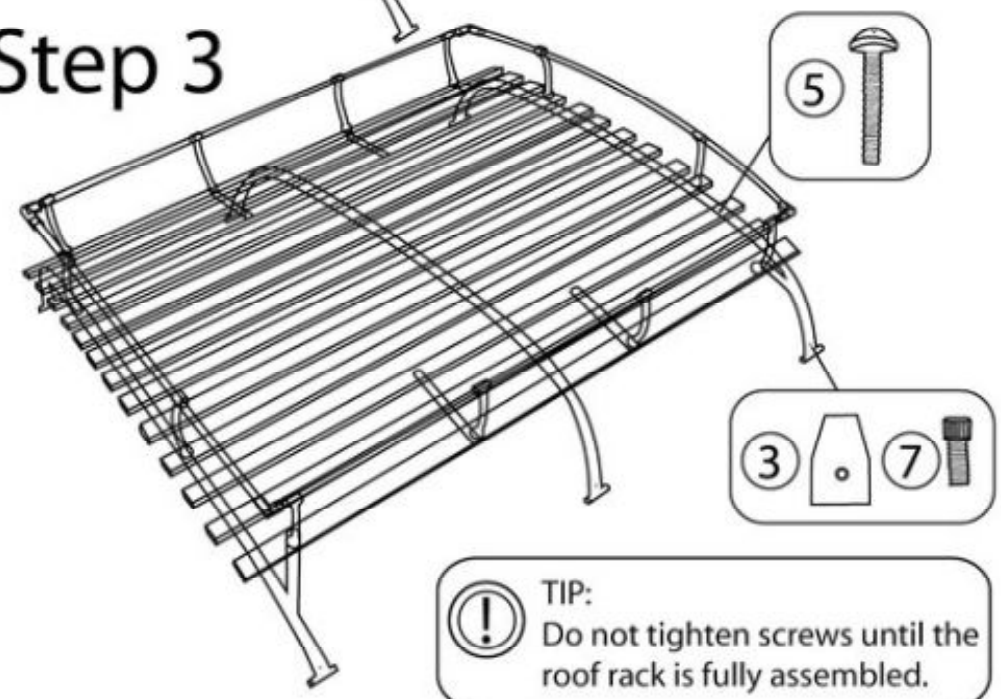
## Step 1




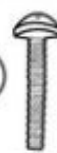
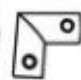





## Step 2



## Step 3



### Parts of roof rack

- |   |   |
|---|---|
| ①  = 12 Ea.             | ⑤  M4 x 45 mm. = 35 Ea. |
| ②  = 4 Ea.             | ⑥  M8 x 30 = 12 Ea.    |
| ③  = 6 Ea.             | ⑦  M6 x 25 = 6 Ea.     |
| ④  M4 x 20 mm. = 8 Ea. | ⑧  M4 x 25 mm. = 8 Ea. |

**TIP:**  
Do not tighten screws until the roof rack is fully assembled.