

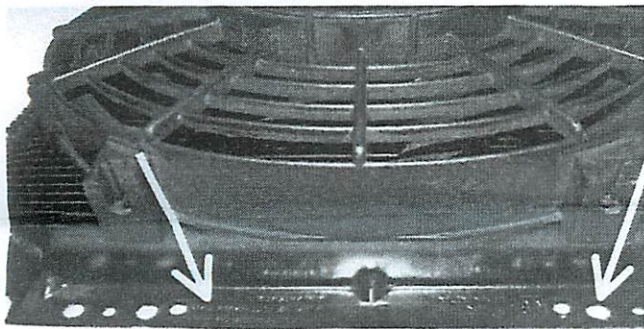
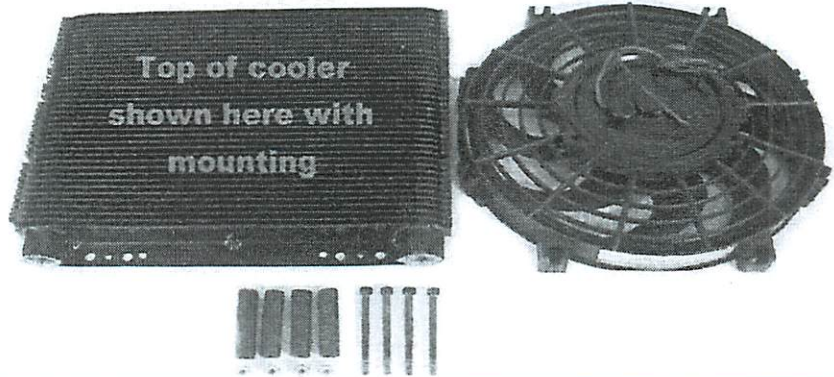


9292

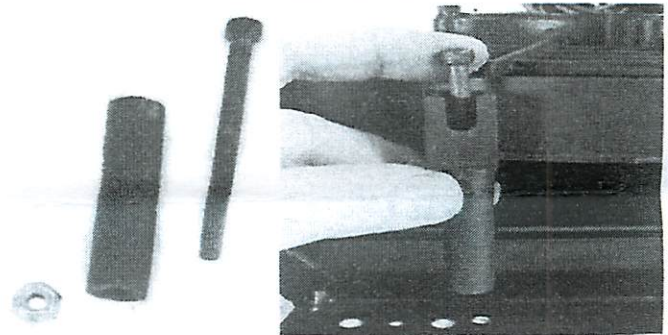
72 Plate Oil Cooler With Fan Assembly Instructions

Contents:

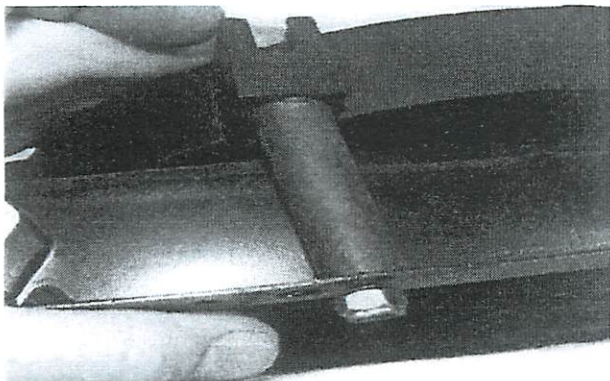
- 1-72 Plate Oil Cooler
- 1-12 Volt fan
- 4- Allen Bolts
- 4- Rubber Spacers
- 4- Nylock Nuts



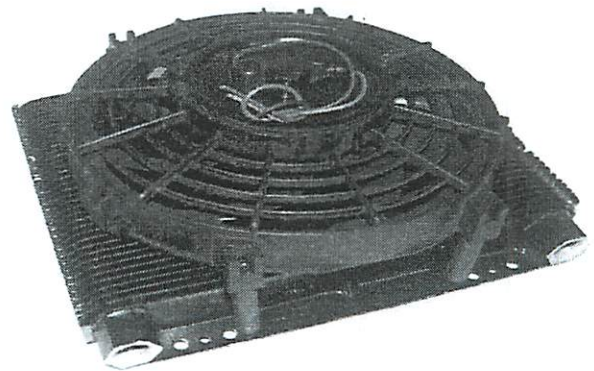
1. Place the fan on top of the Cooler and align the bolt holders with the inner set of pre-drilled holes in the cooler (see arrows in Photo)



2. Start the allen bolt through the bolt holder in the fan, insert the rubber bushing between the fan and the cooler and finish putting the bolt through the cooler plate.



3. Install the Nylock nut and snug the nut. Install all 4 nuts and bolts before tightening. Tighten the nuts evenly until there is a slight pressure on all of the rubber spacers. Do not over tighten the nuts and Allen bolts, this will break the fan assembly.



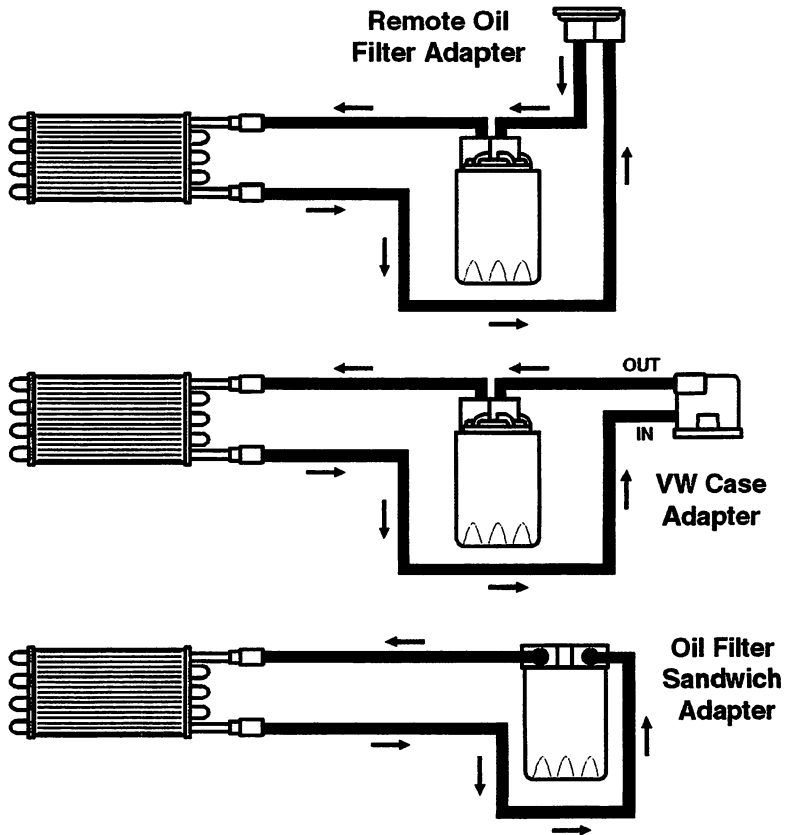


EMPI COMPETITION ENGINE OIL COOLERS

Thank you for purchasing the EMPI Cooler or Cooler Kit. The coolers and hardware are of the highest quality on the market. Each cooler is thoroughly tested to withstand in excess of 500 LBS/PSI.

It is critical that the cooler is installed properly and all fittings tightened carefully. If the cooler requires fittings in order to mount the oil lines, install and tighten using two properly sized wrenches. One to tighten the fitting, and the other to support the cooler end to prevent it from twisting causing it to break and therefore leak. Before mounting look for an area suitable for the cooler, its hardware and all the lines. Be sure the lines are not pinched when installed and do not interfere with any moving parts.

(DO NOT install cooler in an area that will alter its factory shape by twisting or bending, this will Void the limited warranty). **DO NOT** weld on cooler. When installing your oil lines be sure to support the cooler end while pushing on, or pulling off lines. This will help to prevent unnecessary stress on the cooler and the possibility for breakage causing a leak. **NO EXCHANGE** can be made for a cooler that appears to have been damaged do to improper installation or mounted in such a way that would twist the brazed plates apart.





Instructions For: 9290/9292/9293

All EMPI electric fans are reversible with equal efficiency as a puller or pusher.

To convert to a pusher style:

Blue is positive (+) to power and Black is negative (-) to ground.

To convert to a puller style:

Black is positive (+) to power and Blue is negative (-) to ground.